



Flexlock Invisible 2.0

Mifare 13.56 MHz / EM 125 kHz

- Compact lock with RFID technology for inside mounting
- Can be used with the property's already existing pass system
- Can be used for drawers, sliding doors, pull-out storages and all kinds of storage with doors.
- Can be mounted on wood, laminate and sheet metal doors (conductive materials require external antenna)
- Battery powerd
- Low standby
- Easy to program without computer and software
- Easy to install
- **NEW!** New generation of software
- **NEW!** Version of Mifare is available with LED indication

Electronic lock with RFID technology for inside mounting in storages. A key card allows access to all the units the user is authorised to access. This means the same card can be used to access both the work station and various storage units.

The lock can be programmed with a number of functions to limit the number of users or be time-controlled. It can easily be mounted to furniture at the time of manufacture, or retrofitted to existing interior fittings. The lock is battery powered and no external power is required. Available to Mifare 13.56 Mhz or EM 125 kHz.

Lock plates are available in different designs to fit all types of storages:

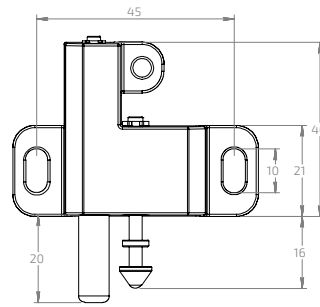
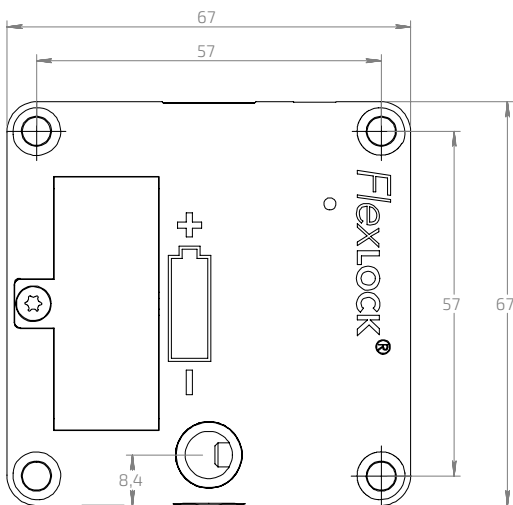
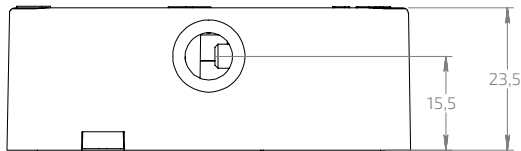
Lock plate A: for doors and drawers (catapults 20 mm)

Lock plate B: for sliding doors or pull-out drawers

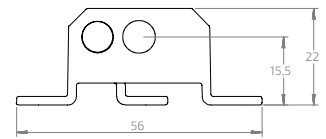
Lock plate C: for doors and drawers (catapults 14, 37 or 40 mm)

Technical Specifications

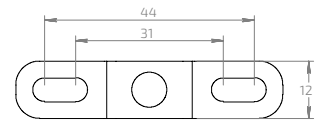
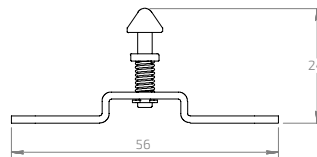
FLEXLOCK INVISIBLE



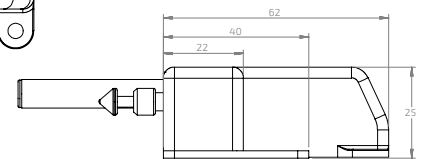
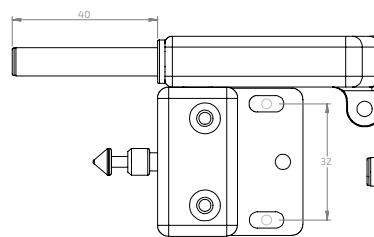
LOCK PLATE A



LOCK PLATE B



LOCK PLATE C



Size	67 x 67 x 23 mm
Weight	54 g (without battery)
Temperature, surrounding	+17° till +30° C
Humidity	20% to 75% relative humidity, non-condensing
Battery	For battery life and software to work according to specification requires a Flexlock battery which is provided by Swedstyle or your Flexlock dealer
HF emission	Max 20dBµA vid 10m
IP-code	IP 20
Number of users	Mifare: max 200 users/EM: max 45 users
Battery lifespan	Mifare: 3 years or 30 000 openings/EM: 4 years or 40 000 openings
RFID std	13,56 MHz: ISO/IEC 14443 A & B, ISO/IEC 180092, ISO/IEC 15693 125 KHz: EM4200 compatible
Compatible with	13,56 MHz: Mifare Classic 1k, Mifare Classic 4k, Mifare DESFire EV1 & EV2, ISO 14443A, Legic Advant 15693, Mifare Plus, Mini, Ultra Light HID iClass 2k, iClass 4k, iClass SE 2k, 32k, prepared for NFC*. 125 KHz: EM4200
Reading distance	< 25 mm with Swedstyle-cards, other cards or tags may have shorter and varied reading distance.
Lock standard	SS-EN 16014:2011, Designed for DIN 4547 Class B
Electrical safety	IEC/EN/UL 62368, CSA 22.2
EMC and EMR radio test	ETSI 300 330-1/-2 och 301 489-1/-3, FCC Part 15B, ICES-003

FlexLock is CE marked and meets the requirements, see separate CE declaration.

* Requires upgrading of locks when future support is implemented.

More info at www.flexlock.se

Flexlock is a product developed and marketed by Swedstyle.

 SWEDSTYLE

Swedstyle AB.
Box 171, SE-567 24 Vaggeryd, Sweden
info@swedstyle.se
+46 393-363 60
www.swedstyle.com