



## Flexlock Visible 2.0 - Mifare 13.56 MHz

- Compact cam lock with RFID technology for external mounting
- Can be used with the property's already existing pass system (13.56 MHz)
- Can be used for a sliding door cabinet, draw cabinet, furniture cabinet or dressing cabinet
- Can be mounted on sheet metal, wood, and laminate doors
- Battery powered
- Low standby
- Easy to program
- Easy to mount
- Can be mounted vertically or horizontally
- Replaces traditional cylinder locks in existing holes
- **NEW!** LED light flashes if the storage is free / open
- **NEW!** New generation of software
- **NEW!** Sound enabled by default
- **NEW!** Alternative battery end is available as an option, (requires a Battery end kit)

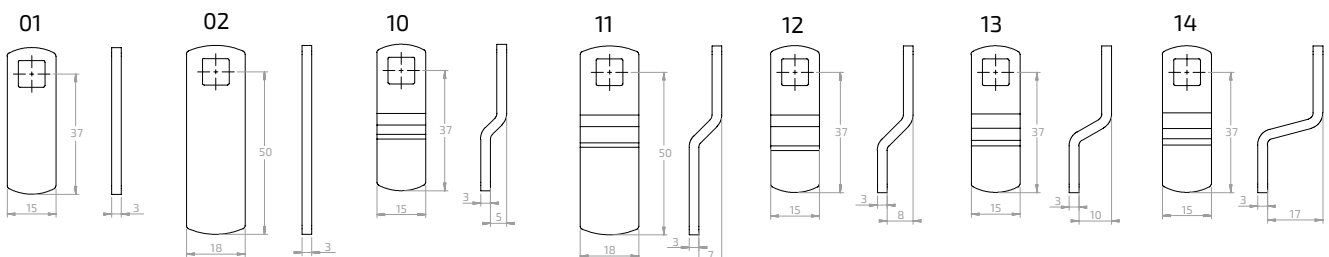
Electronic lock with RFID technology for storage and changing cabinets for exterior mounting. A key-free alternative to traditional locks. The lock can be programmed with a number of functions to limit the number of users or be time-controlled.

The lock can easily be mounted on new cabinets or mounted retrospectively on most cabinets with a cylinder lock. Fits holes with a diameter of 22 or 19 mm.

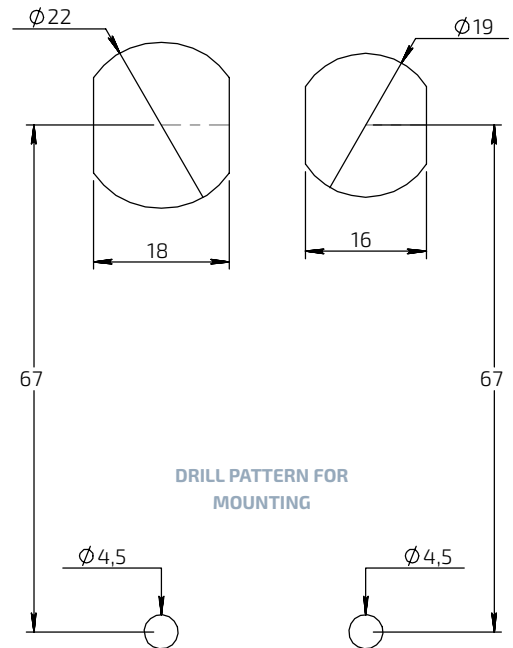
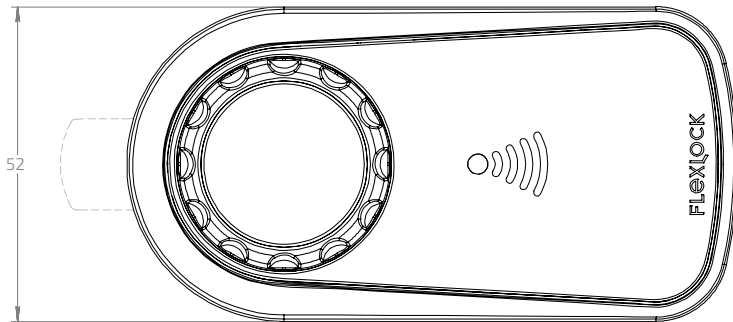
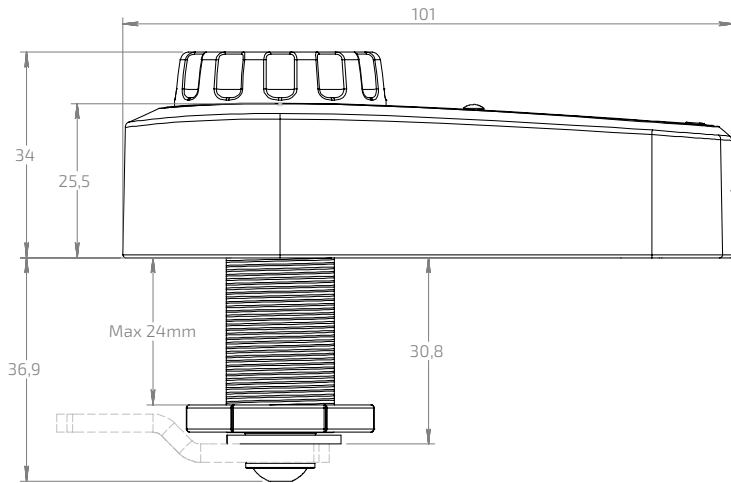
Locking cams are available in different lengths and designs to fit different storages. Can be mounted on doors with a thickness of max 24 mm. The lock is battery powered and no external power is required. The lock can be mounted vertically or horizontally.

Equipped with rubber-coated rotary knob. The lock is available as standard in dark gray. Available to Mifare 13.56 Mhz.

### LOCK CAMS:



# Technical Specifications



Size	101x52x25 mm without knob (34 knob included)
Door thickness (max)	24 mm
Hole pattern	Ø22x18 mm, Ø19x16 mm
Locking cams	See standard rules. Options are customized for cabinets
Weight (without battery)	225 g
Temperature, surrounding	+17° C to +30° C
Humidity	20% till 75% relative humidity, non condensing
IP-code	IP 20
Number of users	Max 200 users
Battery	For battery life and software to work according to specification requires a Flexlock battery which is provided by Swedstyle or your Flexlock dealer
Battery lifespan	2 to 3 years and/or 30,000 openings depending on mode / use LED deactivated: up to 3 years or 30,000 openings
RFID	13,56 MHz, ISO/IEC 14443 A & B, ISO/IEC 180092, ISO/IEC 15693
Compatible with	13,56 MHz: Mifare Classic 1k, Mifare Classic 4k, Mifare DESFire EV1 & EV2, ISO 14443A, Legic Advant 15693, Mifare Plus, Mini, Ultra Light HID iClass 2k, iClass 4k, iClass SE 2k, 32k, prepared for NFC*.
Reading distance	0-15 mm with Swedstyle-cards, <5 mm with fob
Lock standard	SS-EN 16014:2011, Dimensioned for DIN 4547 Class B
Electrical safety	IEC/EN/UL 62368, CSA 22.2
EMC and EMR radio test	ETSI 300 330-1/-2 och 301 489-1/-3, FCC Part 15B, ICES-003

Flexlock is CE marked and meets the requirements, see separate CE declaration.

\* Requires upgrading of locks when future support is implemented.

More info at [www.flexlock.se](http://www.flexlock.se)

Flexlock is a product developed and marketed by Swedstyle.

 SWEDSTYLE

Swedstyle AB.  
Box 171, SE-567 24 Vaggeryd, Sweden  
info@swedstyle.se  
+46 393-363 60  
[www.swedstyle.com](http://www.swedstyle.com)