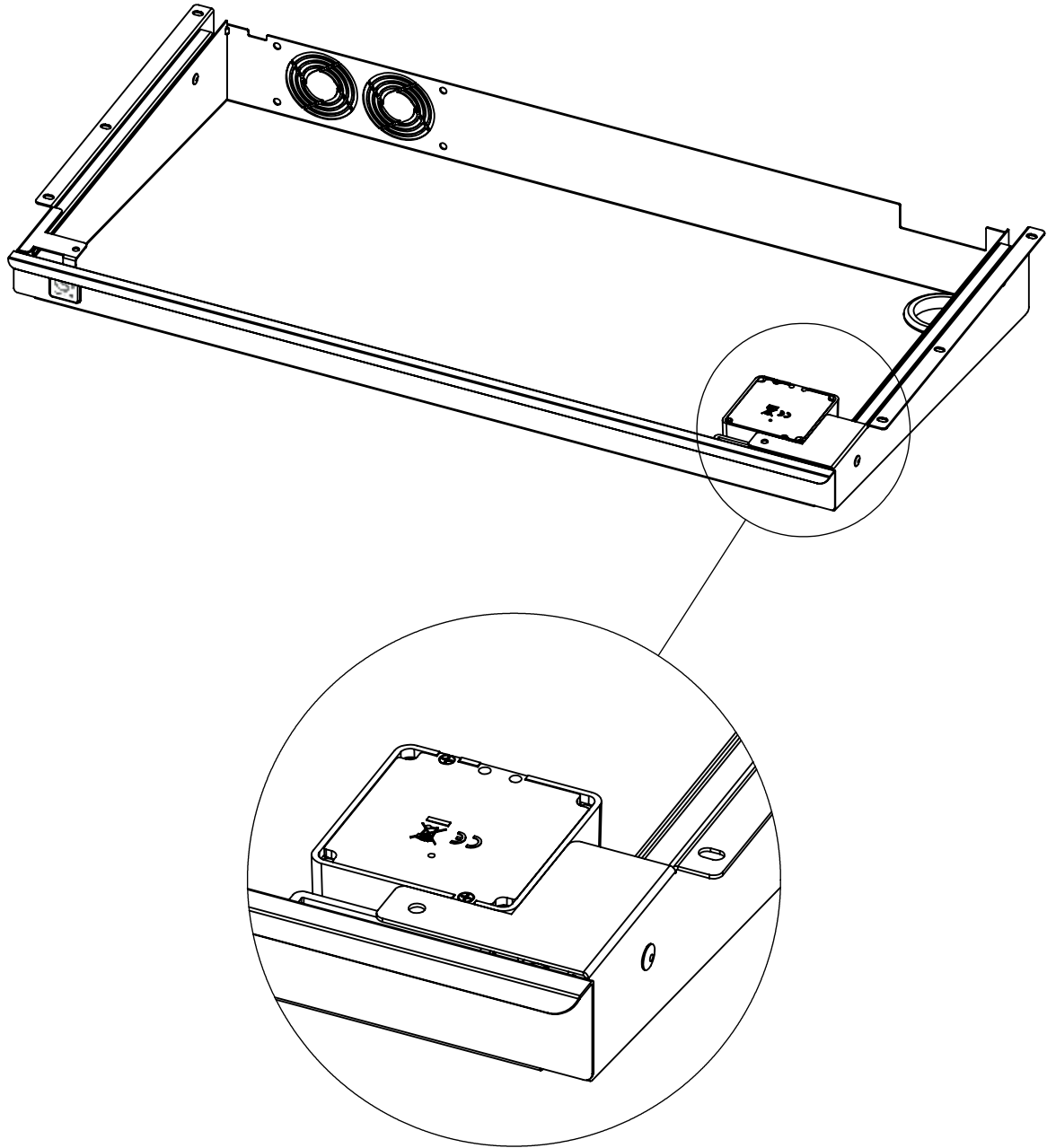
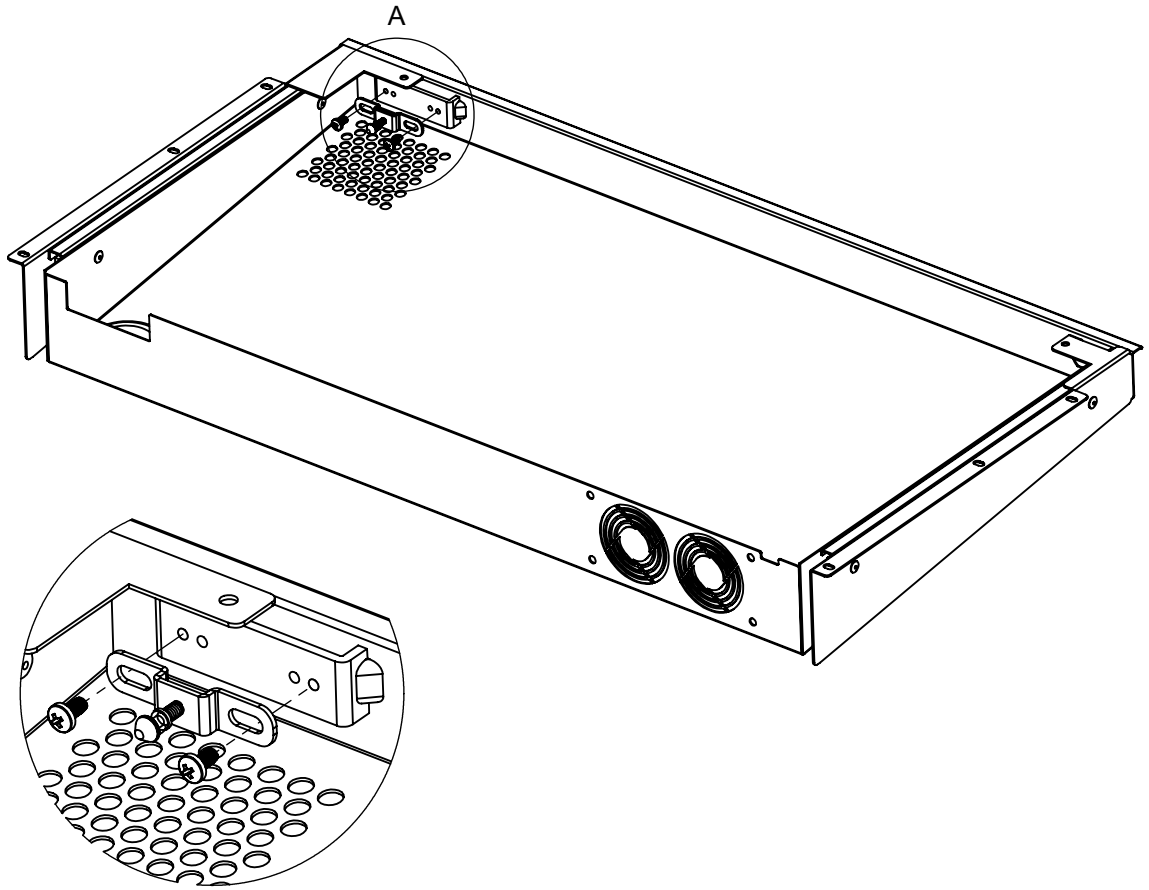


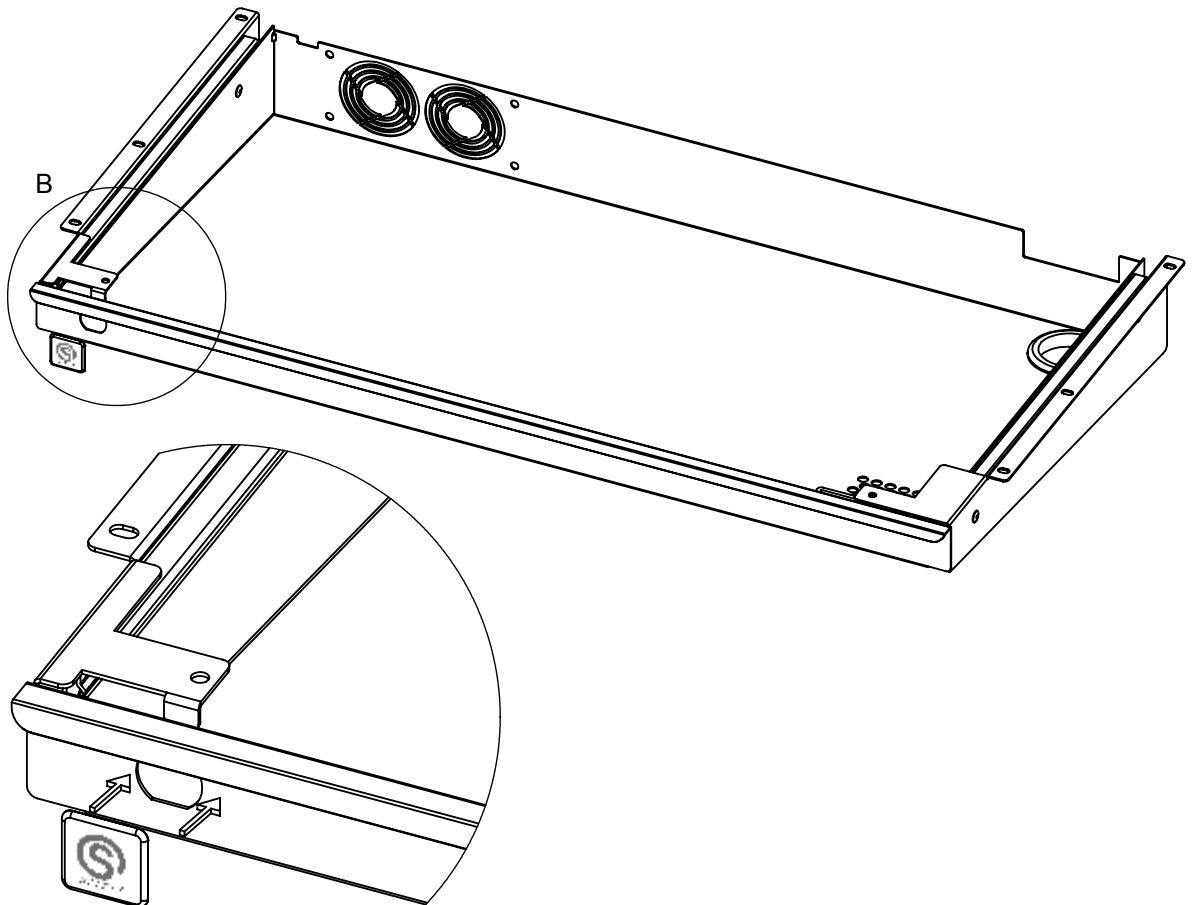
FlexLOCK



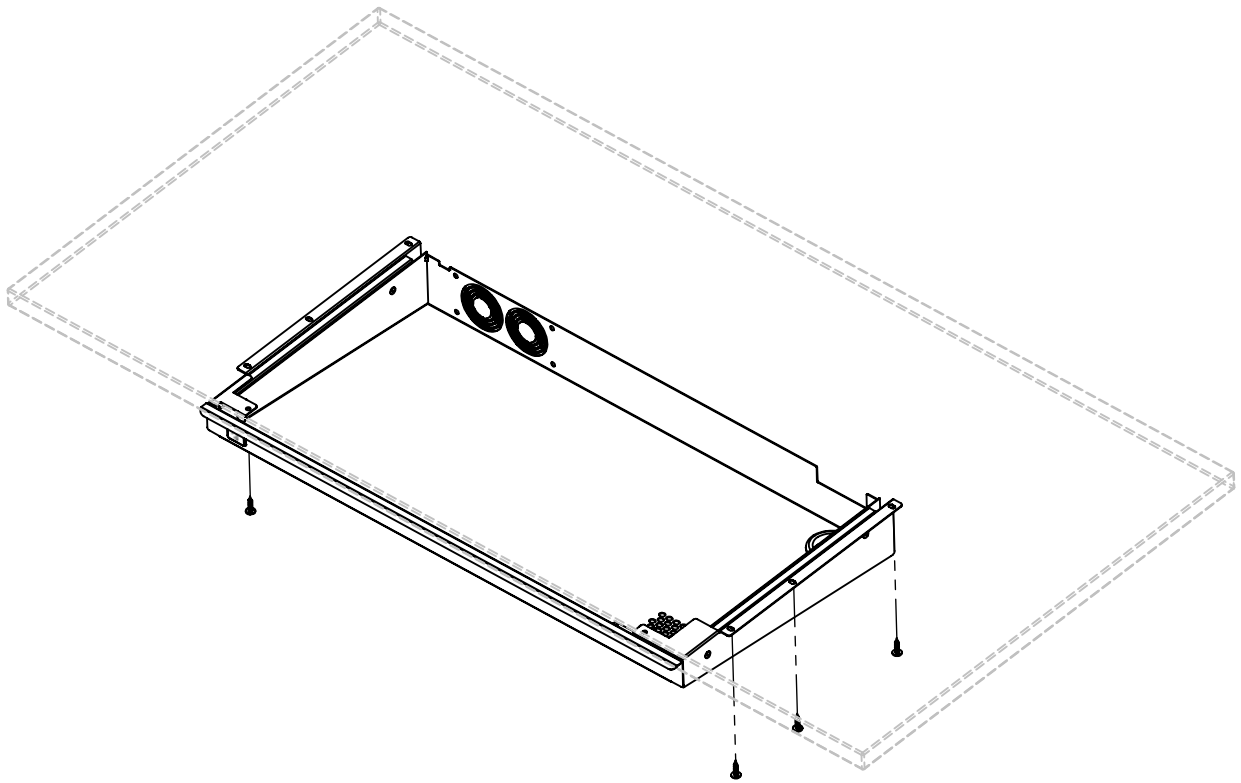
①



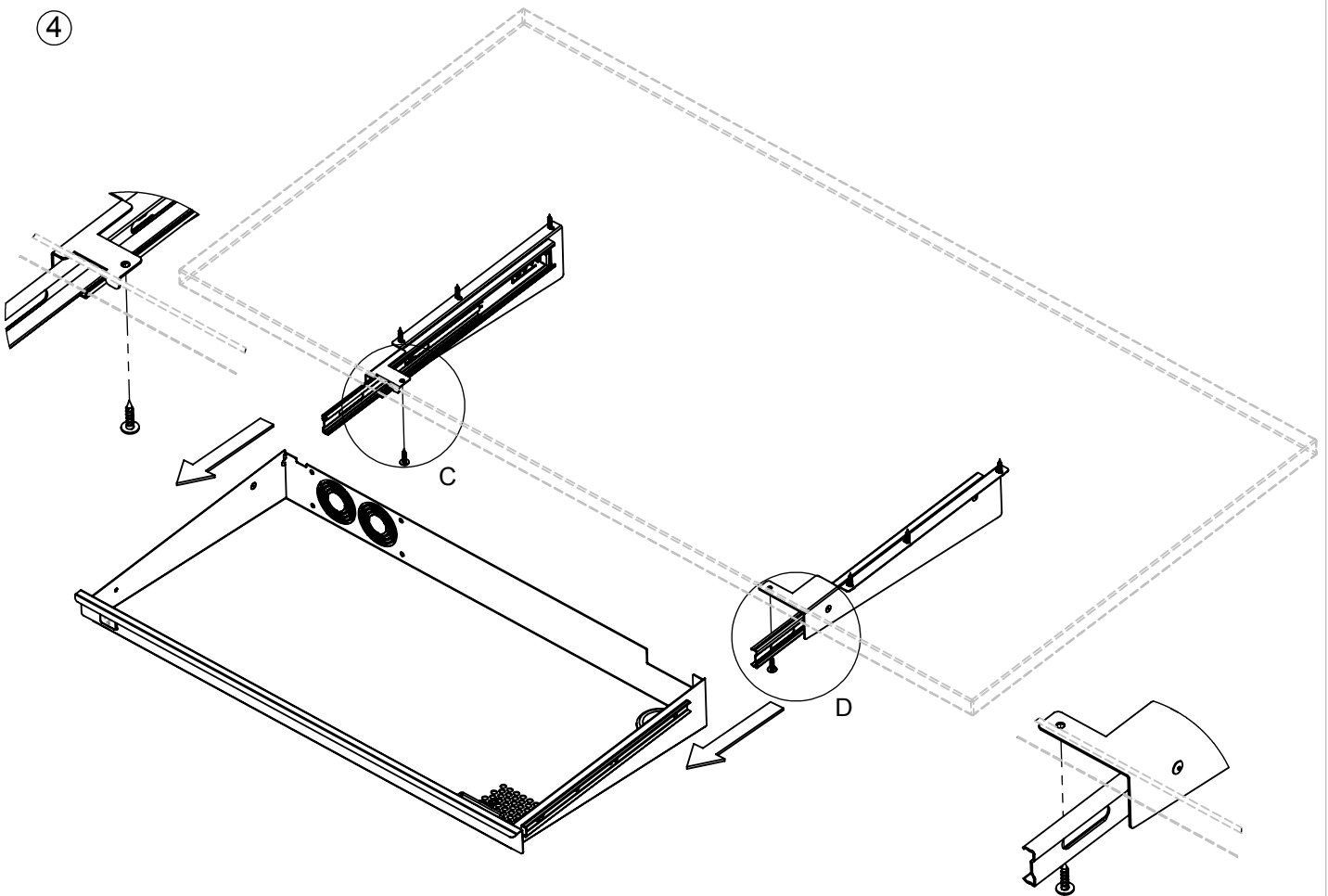
②



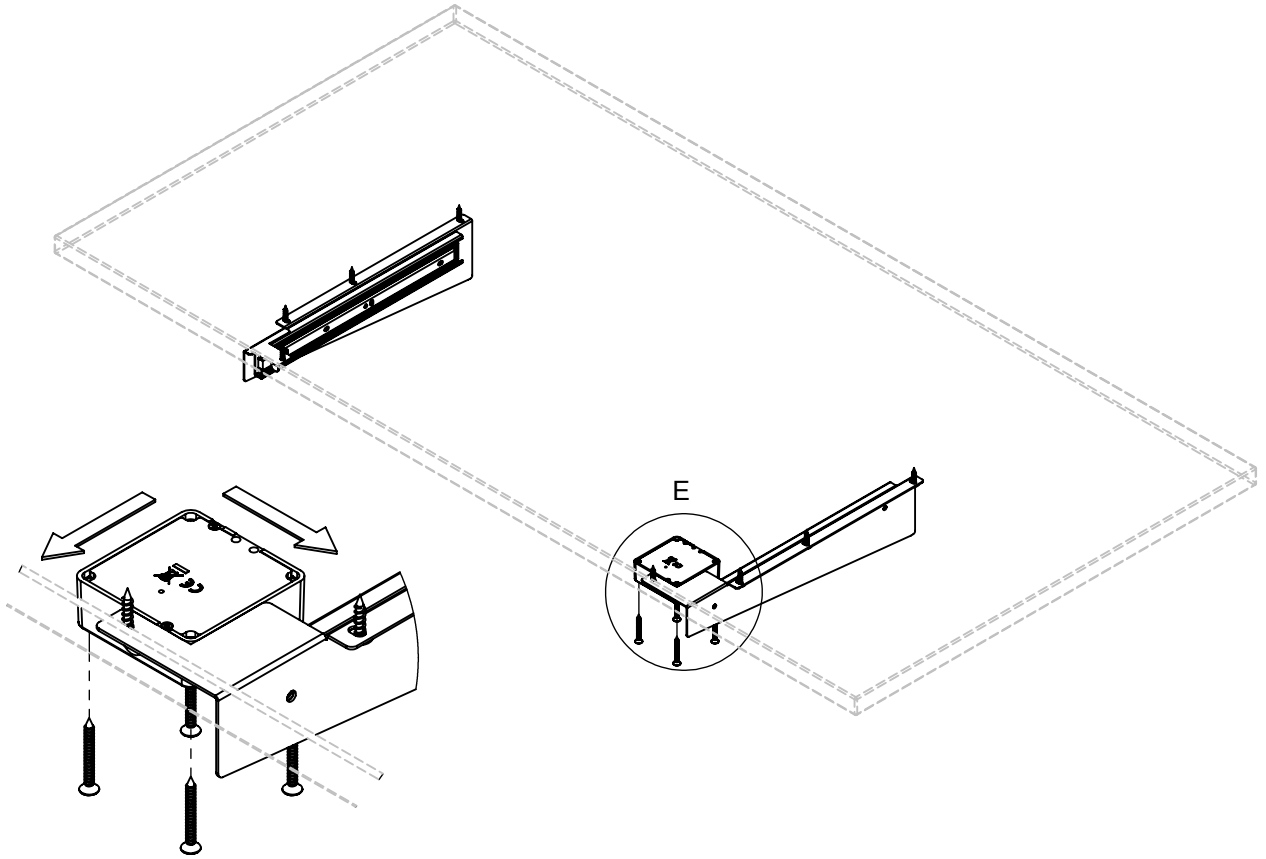
③



④



5



6

